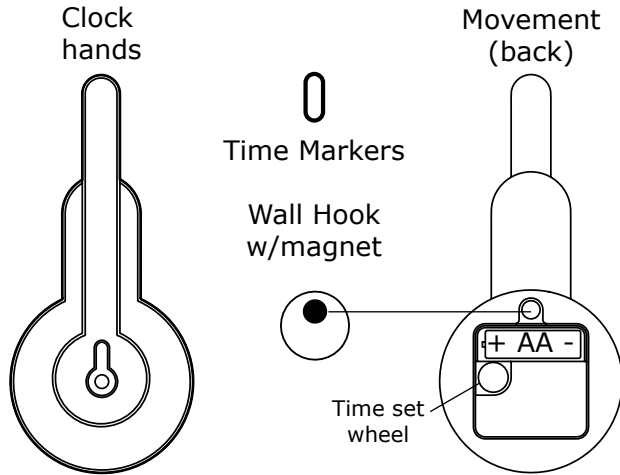
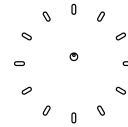
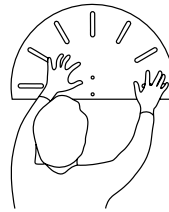


20"-24" Adjustable Floating Dial Clock



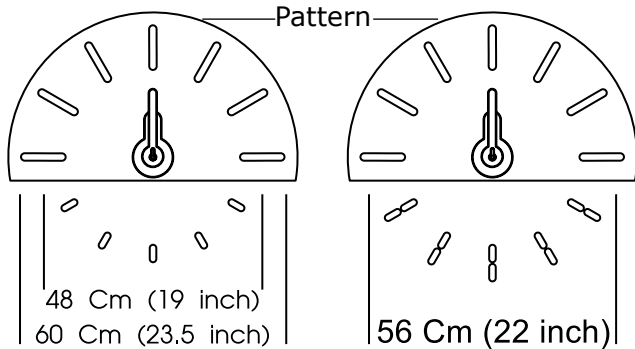
Model: 404-3261
DC: 021517



Install Clock on Wall

1. Remove protective backing from tape on back of wall hook. Place wall hook on center of your wall. Ensure the magnet is at the top.
2. Place the "pattern" over the wall hook to act as a guide to place the time markers.
3. After the top numbers are placed, turn the pattern upside down to place the bottom time markers.
4. Insert one "AA" battery into the movement and set the time with the time set wheel.
5. Place the clock on the wall hook. The magnet will keep it in place.

Clock Size Guide



- Adjust the size of the clock by placing the time markers closer or further from the center.

Specifications

Batteries: 1 AA (IEC LR6) required in movement
(Alkaline recommended)

Battery Life: over 12 months with reputable battery brand

Visit Us on Social Media



For latest video content:
http://bit.ly/LaxTech_YouTube



For personal interaction:
http://bit.ly/LaxTech_Facebook



Join the conversation:
http://bit.ly/LaxTech__Twitter



Pin and Share:
http://bit.ly/LaxTech_Pinterest

Care and Maintenance

- Always purchase the correct size and grade of battery most suitable for use.
- Clean the battery contacts and also those of the device prior to battery installation.
- Ensure the battery is installed with correct polarity (+ and -).
- Remove battery from equipment which is not to be used for an extended period of time.
- Promptly remove an expired battery.

Warranty Support

La Crosse McCormick, LLC. provides a 2-year limited warranty (from the date of the original consumer purchase), on this product against manufacturing defects in materials and workmanship. Send \$5.00 with date and proof of purchase to the following address. Please include the model number of your product and your complete address and phone number.

La Crosse McCormick, Warranty Department, 2830 26th St. St., La Crosse, WI 54601

www.lacrossetechnology.com/support