

CAUTION: TO PREVENT ELECTRIC SHOCK, MATCH THE WIDE BLADE OF PLUG TO WIDE SLOT, MAKE SURE TO FULLY INSERT THE PLUG BLADES INTO AN ELECTRICAL OUTLET.

WARNING: TO REDUCE THE RISK OF FIRE OR ELECTRICAL SHOCK, DO NOT EXPOSE THE APPLIANCE TO RAIN OR MOISTURE.

SAFETY INSTRUCTIONS

1. Read instructions- All the safety and operating instructions should be read before the appliance is operated.
2. Retain instruction- The safety and operating instructions should be retained for future reference.
3. Heed Warnings- All warnings and cautions on the appliance and in the operating instructions should be adhered to.
4. Follow instructions- All operating and use instructions should be followed.
5. Water and Moisture: The appliance should not be used near water e.g. near a bathtub, washbowl, kitchen sink, laundry tub, in a wet basement, or near a swimming pool or lake.
6. Wall or ceiling mounting- The appliance should not be mounted to a wall or ceiling.
7. Ventilation- The appliance should be situated so that its location or position does not interfere with its proper ventilation. For example, the appliance should not be situated on a bed, sofa, rug, or similar surface that may block the ventilation openings, or placed in a built-in installation such as a bookcase or cabinet, that may impede on the flow of air through the ventilation openings.
8. Heat- The appliance should be situated away from heat sources such as radiators, heat registers, stoves or other appliances (including amplifiers) that produce heat.
9. Power Sources- The product should be operated only with the type of power supply indicated on the marking label. If you are not sure of the type of power supplied to your home, consult your product dealer, or local power company. For

- products intended to operate from battery power, or other sources, refer to the operating instructions.
10. Grounding Polarization- The product may be equipped with a polarized alternating current line plug (a plug having one blade wider than the other). This plug will only fit into the power outlet one way. This is a safety feature. If you are unable to insert the plug fully into the outlet, try reversing the plug. If the plug should fail to fit, contact your electrician to replace your obsolete outlet. Do not defeat the safety purpose of the polarizing plug.
 11. Power Cord Protection- Power supply cords should be routed so that they are not likely to be walked on or pinched by items placed upon or against them, paying particular attention to the cords at the plug, outlet, and the point where the cord exits the appliance.
 12. Cleaning- The appliance should be cleaned only as recommended by the manufacturer.
 13. Non-use Periods- The power cord of the appliance should be unplugged from the outlet when left unused for a long period of time.
 14. Object and Liquid Entry- Care should be taken so that objects do not fall into the case and liquids are not spilled into the case through product openings.
 15. Damage Requiring Service- Unplug this product from the wall outlet and take it to qualified service personnel under the following conditions.
 - a. When the power supply cord or plug is damaged
 - b. If liquid has been spilled into, or objects have fallen into the product.
 - c. If the products has been exposed to rain or water.
 - d. If the product does not operate when used according to the operating instructions, adjust only those controls that are covered by the operating instructions as an improper adjustment of other controls may interfere with the product's normal operation.
 - e. If the product has been dropped or damaged in any way.
 - f. When the product exhibits a distinct change in performance that indicates a need for service.
 16. Servicing- The user should not attempt to service the product beyond that described in the operating instructions. All servicing should be referred to qualified service personnel.



Please help in preservation of the environment and return used batteries to an authorized depot. Remove the battery from the clock if you do not intend to use for an extended period of time.
Warning: Changes or modifications to this unit not expressly approved by the party responsible for compliance could void the user's authority to operate the equipment.

Two Year Limited Warranty (U.S.A)

Equity products are warranted for two years from the date of consumer purchase against defects in material and workmanship. During this period, such defects will be repaired, or the product will be replaced at Equity's option, without charge. This warranty does not cover damage caused by misuse or negligence. ALL IMPLIED WARRANTIES, INCLUDING BUT NOT LIMITED TO IMPLIED WARRANTIES OR FITNESS AND MERCHANTABILITY, ARE LIMITED IN DURATION TO A PERIOD ENDING TWO YEARS FROM DATE OF PURCHASE. Some states do not allow limitations on how long an implied warranty lasts so the above limitation may not apply to you. This warranty gives you specific legal rights and you may also have other rights which vary from State to State.

If your product is not working properly, please send:

- the product
- A letter explaining the problem
- and \$5.00 for postage and handling to:

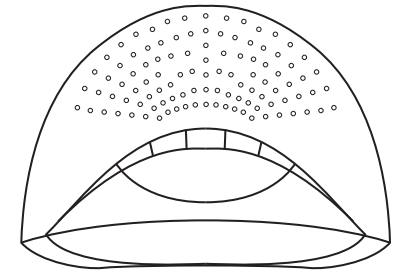
Equity by La Crosse
Warranty Department
2817 Losey Blvd. S
La Crosse, WI 54601

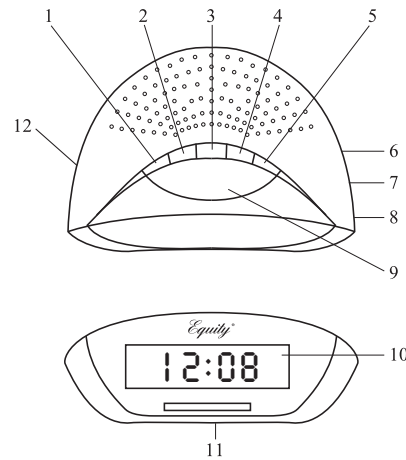
Made in China

Printed in China

Equity® AM/FM DIGITAL LED CLOCK RADIO

Model 30111 Instruction Manual





1. TIME SET BUTTON
2. HOUR SET BUTTON
3. MINUTE SET BUTTON
4. ALARM SET/OFF BUTTON
5. SLEEP BUTTON
6. VOLUME/BUZZ SWITCH
7. AM/FM BAND SELECTOR
8. TUNING KNOB
9. SNOOZE BUTTON
10. RED LED DISPLAY
11. BATTERY COMPARTMENT
12. AUTO/OFF/ON SWITCH

POWER SOURCE

Plug the AC cord into an AC 120V/60Hz power outlet. The unit is now working and the display will blink to show you it is operating, but not yet set.

OPERATING INSTRUCTIONS

1. AUTO/OFF/ON/SWITCH: Slide the switch to turn the radio "ON", "OFF" or to "AUTO" position. When the switch is in the "AUTO" position, it will permit automatic turning "ON" and "OFF" according to the sleep and alarm settings.
2. TIME SET BUTTON: Press this button simultaneously with the HOUR or MINUTE button to set the desired time.
3. ALARM SET BUTTON: Press this button simultaneously with the HOUR or MINUTE button to set the desired wake up time.

4. Sleep Set Button: Press this button to display the number of minutes (1 minute to 1 hour and 59 minutes) where the radio will sound and automatically turn off after the requested time has expired.
5. HOUR and MINUTE BUTTON: Use these buttons to set the time, set the alarm, and set the Sleep function.
6. AM/FM BAND SELECTOR: Slide the selector to either AM or FM to select the desired radio band.
7. VOLUME CONTROL KNOB: To regulate the loudness of the radio, rotate the Volume Control Knob clockwise to the desired position. If you wish to be awakened by the "BUZZER" rotate the control counter-clockwise until a "click" sound is heard.
8. TUNING KNOB: Turn this knob to the desired radio station.
9. SNOOZE BUTTON: When you are awakened by the music or buzzer but wish to sleep a few more minutes, simply touch the "SNOOZE" button and it will shut off the music or buzzer for 7-10 minutes before the music or buzzer sounds again. This can be repeated several times.

TO SET THE TIME

1. Press the time set button together with the HOUR or MINUTE button to set the correct time.

Note: Repeat the above steps if you run past the correct time. A red dot appears in the lower left hand corner of the display indicating that the time shown is PM time.

TO SET THE ALARM

1. Press the Alarm set button to check the alarm time
2. Press the Alarm set button together with the HOUR or MINUTE button to adjust the alarm time paying close attention to the PM indicator.

Note: A red dot appears in the lower left hand corner of the display indicating that the time shown is PM time.

TO PLAY THE RADIO

1. Slide the AUTO/OFF/ON switch to the "ON" position.
2. Slide AM/FM band switch to desired band.
3. Select the desired radio station by turning the tuning knob
4. Adjust the Volume to the desired listening level.

TO WAKE TO RADIO

1. Set the alarm as previously instructed.
2. Turn the radio on and select the desired radio station and volume setting as previously instructed.
3. Slide the AUTO/OFF/ON Switch to the "AUTO" position. Your clock is now set to turn on the radio automatically at the preselected alarm time.

TO WAKE TO BUZZER

1. Follow steps 1 through 3 under "TO WAKE TO RADIO".
2. Rotate the VOLUME/BUZZ switch to the "BUZZ" position. You will be awakened at the pre-selected alarm time by the buzzer tone. To turn the BUZZER off, slide the AUTO/OFF/ON switch to the "OFF" position or press ALARM SET/OFF button.

TO TURN THE ALARM OFF

To turn the alarm off so that it sounds again the next day, press the ALARM/SET/OFF button. To turn the alarm off so that it does not sound the next day, slide the AUTO/OFF/ON switch to the "OFF" position.

SLEEP CONTROL

1. Turn the AUTO/OFF/ON switch to the "AUTO" or "OFF" position
2. Press the SLEEP button to display the sleep time. The display will indicate 59 minutes. If you wish the radio to play for a shorter period of time, simply press the SLEEP button together with the MINUTE button to set the desired time period, or if you wish the radio to play longer, press the SLEEP button along with the HOUR button to play for up to 1 hour and 59 minutes (MAX).
3. Press the SLEEP button. The radio will turn on automatically and will turn itself off when the pre-set time has passed.

NOTE: The maximum sleep time is 1 hour 59 minutes. The radio will be switched off automatically when the sleep time expires. To turn the radio off before expiration of the sleep time, simply press the SNOOZE button.

BATTERY BACKUP

Your clock has a battery backup feature in case of power failure. A 9 volt battery (not included) is required. You must put in a battery to ensure the battery backup feature is ready in case of power failure. If power fails, the backup battery will automatically continue operation of the clock and maintain actual time. However the display will not be lit. During actual power failure the alarm function will not be operational. When electrical power is restored, the display will light up again and alarm time set previously is restored. The battery will maintain timekeeping for approximately 8 hours during power failure or interruption.

Note: Remove the battery if the clock is to be unplugged for a long period of time to avoid unnecessary battery drain.

SPECIFICATIONS

Power Source : AC 120V/60Hz
 Radio Band Frequency : AM 530-1700 KHz,
 FM 88-108 MHz
 Clock Display : 0.6" LED Display
 Battery Backup : 1 "9V" Battery