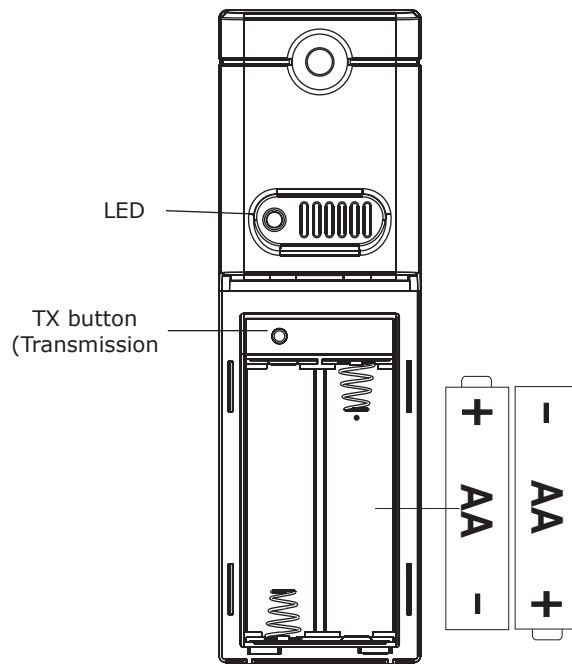


# Thermo-hygro Sensor 915MHz

## Features

- Temperature
- Humidity
- Red LED flashes when transmitting.



Model: TX143TH  
DC: 112116

## Power

- Requires 2-AA batteries for operation.

## Temperature | Humidity

- Transmits Temperature | Humidity every 58 seconds.
- Red LED light will flash when transmission occurs.

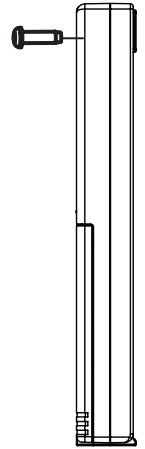
## Mounting

Option 1:

- Install one mounting screw into a wall.
- Place the transmitter onto the screw.

Option 2:

- Insert the mounting screw through the front of the sensor and into the wall.
- Tighten the screw to snug (do not over tighten).
- Mount the temperature/humidity sensor on a north-facing wall or in any well shaded location. Sun will make it read high.
- Under an eave or deck rail is preferred.
- Be sure the outdoor sensor is mounted vertically to drain moisture.
- The maximum wireless transmission range to the weather station is over 300 feet (91 meters) in open air, not including walls or floors.



## Battery usage - Tips and Information:

- La Crosse Technology products are designed to work best with a name brand battery. Good name brand batteries make less noise, which reduces the chance of RF interference from the battery compartment.
- Avoid a battery without an expiration date. These batteries will produce more RF noise.
- Alkaline or Lithium batteries can be used in sensors. Only use Alkaline batteries in clocks or weather stations.
- Use batteries dated six years or more in advance of the current year. Batteries are often dated to expire 10 years from their manufacture date.
- Batteries dated earlier than 6 years from now may still work, but may be unstable in performance.
- If you have a voltmeter that reads numerically, a minimum voltage of 1.48V for **each** battery is necessary for proper performance in our products.

## Specifications

- Temperature Range: -40°F to 140°F (-40°C to 60°C)
- Humidity Range: 10% to 99% RH
- Update interval: About every 58 seconds
- Transmission Range: 300 ft (91 meters)
- Batteries: 2-AA, IEC, LR6 batteries (not included)
- Battery Life: over 24 month with reputable batteries
- Dimensions: 1.57" W x 5.12" T x 0.79" D (4.0cm W x 13.0cm T x 2.0cm D)

## Warranty and Support

La Crosse Technology, Ltd. provides a 1-year limited time warranty (from date of purchase) on this product relating to manufacturing defects in materials & workmanship. Before returning a product, please contact our friendly customer support with questions or visit our online help:

Phone: 1-608-782-1610

Online Product Support and Registration: [www.lacrossetechnology.com/support](http://www.lacrossetechnology.com/support)

View full warranty details online at: [www.lacrossetechnology.com/warranty\\_info.pdf](http://www.lacrossetechnology.com/warranty_info.pdf)

## FCC Statement

This equipment has been tested and found to comply with the limits for a Class B digital device, pursuant to part 15 of the FCC Rules. These limits are designed to provide reasonable protection against harmful interference in a residential installation. This equipment generates, uses and can radiate radio frequency energy and, if not installed and used in accordance with the instructions, may cause harmful interference to radio communications. However, there is no guarantee that interference will not occur in a particular installation.

If this equipment does cause harmful interference to radio or television reception, which can be determined by turning the equipment off and on, the user is encouraged to try to correct the interference by one or more of the following measures:

- Reorient or relocate the receiving antenna.
- Increase the separation between the equipment and receiver.
- Connect the equipment into an outlet on a circuit different from that to which the receiver is connected.
- Consult the dealer or an experienced radio/TV technician for help.

This device must not be co-located or operating in conjunction with any other antenna or transmitter.

### **Operation is subject to the following two conditions:**

- (1) This device may not cause harmful interference, and
- (2) This device must accept any interference received, including interference that may cause undesired operation.

### **Caution!**

The manufacturer is not responsible for any radio or TV interference caused by unauthorized changes or modifications to this equipment. Such changes or modifications could void the user authority to operate the equipment.

This equipment must be installed and operated in accordance with provided instructions and the antenna(s) used for this transmitter must be installed to provide a separation distance of at least 20 cm from all persons and must not be co-located or operating in conjunction with any other antenna or transmitter

All rights reserved. This manual may not be reproduced in any form, even in part, or duplicated or processed using electronic, mechanical or chemical process without the written permission of the publisher. This booklet may contain errors or misprints. The information it contains is regularly checked and corrections are included in subsequent editions. We disclaim any responsibility for any technical error or printing error, or their consequences.

All trademarks and patents are recognized.