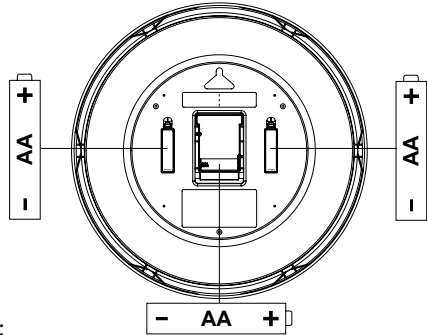


POWER UP

1. Select Time Zone and DST ON or OFF.
2. Insert 1 AA battery into your clock. OPTIONAL: Insert 2 AA batteries in the side compartments, for 3 year battery life.
3. For best reception, place your clock on a wall that faces Ft. Collins, Colorado. During the night, your clock will set itself.

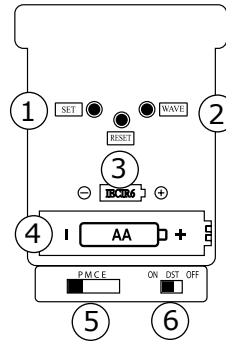


IMPORTANT:

- Hands will move to 12:00 and search for the atomic time signal.
- If no signal, after 8-10 minutes, clock will run from 12:00.
- Clock will continue to search for the WWVB atomic time signal.
- Allow up to 5 nights for the clock to receive the atomic time signal.

MANUALLY SET TIME

- In certain areas, your clock may not be able to receive the atomic time signal due to signal strength or interference.
- In this case, your clock can be set manually and operate as a quartz clock until the WWVB signal can be received.



- ① SET
- ② WAVE (Atomic search)
- ③ RESET
- ④ Battery
- ⑤ Time Zone Selector
- ⑥ Daylight Saving Time Selector

Set Time:

1. Hold SET for 3 seconds
2. Press and Hold SET to move hands quickly.
3. Press and release SET to move hands forward step by step.

Note: The atomic time signal will override manual settings.

Reset:

If the clock does not respond when trying to manually set your time, press the RESET button on the movement case.

LET'S BE SOCIAL!

Follow us on our social media outlets for the latest promotions, product support, and awesome giveaways.



CARE AND MAINTENANCE

- Always purchase the correct size and grade of battery most suitable for intended use.
- Clean the battery contacts and also those of your clock prior to battery installation.
- Ensure the battery is installed with correct polarity (+ and -).
- Remove battery from your clock when it is not used for an extended period of time.
- Promptly remove an expired battery.

SPECIFICATIONS

Battery Requirements: 1 AA (IEC LR6) required in movement
(Alkaline recommended)
Optional: 2 AA batteries

Battery life: 1 battery; over 12 months
3 batteries; up to 36 months

WARRANTY AND SUPPORT

La Crosse Technology, Ltd. provides a 1-year limited time warranty (from date of purchase) on this product relating to manufacturing defects in materials & workmanship.

Before returning a product, please contact our friendly customer support with questions or visit our online help.

Phone: 1-608-782-1610

Online: www.lacrosstechnology.com/support/

Page | 4

LA CROSSE®
TECHNOLOGY

16" Atomic Wall Clock



Model: WT-3161WHx1

DC: 110317

For information about WWVB, atomic time signal
visit: <http://bit.ly/AtomicTime>

Page | 1