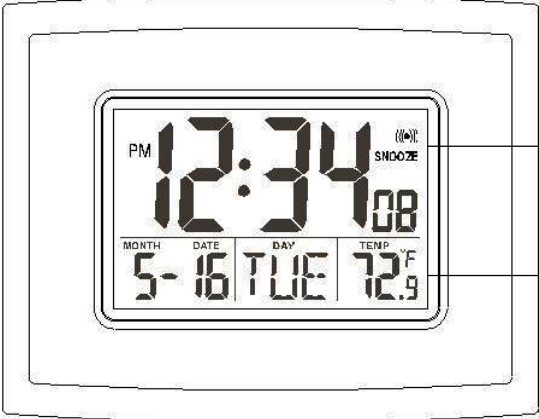
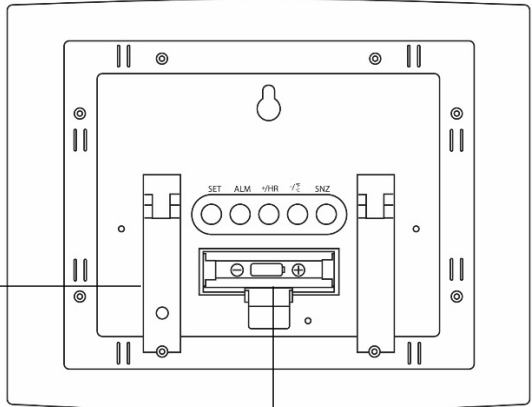


Digital Wall Clock



Manual Set Time +
Time Alarm with Snooze

Month, Date, Weekday +
Indoor Temperature °F/°C



Pullout
Stand

1-AA battery

Buttons



Get Started

- 1: Insert 1 fresh AA, LR6 1.5 volt Alkaline battery into the clock according to the polarity markings.
- 2: Set time, date etc.

Restart: If the indoor temperature is not displayed after 60 seconds, remove batteries from the digital clock. Press any button on the digital clock 20 times. After 15 minutes, insert a fresh battery.

Set Time, Date, 12/24 Hour

1. Press the **SET** button to enter time set mode, confirm adjustments and move to next item.
2. Press the **+ /HR** or **- °F/°C** buttons to adjust values.

Settings order:

1. 12/24 Hour Format 2. Hour 3. Minutes 4. Year 5. Month 6. Date

Note: Date of the week will set automatically when year, month, date are set.

Press **SET** to exit, or wait 30 seconds without pressing buttons to return to the normal time display.

Temperature Units

- Press the **°F/°C** button to switch from Fahrenheit to Celsius.

Set Alarm Time

1. Hold the **ALM** button to set time alarm.
2. Press the **+ /HR** or **- °F/°C** buttons to adjust values.
3. Press the **ALM** button to confirm adjustments and move to next item.

Setting order: 1. Hour 2. Minutes

Press **ALM** to exit, or wait 30 seconds without pressing buttons to return to the normal time display.

Deactivate/Activate Alarm

- Press **ALM** once to deactivate the alarm.
The alarm icon will disappear.
- Press **ALM** once to activate the alarm.
The alarm icon will appear.



Snooze

- Press **SNZ** to silence an active alarm for 5 minutes.
- The alarm icon with SNOOZE below it will flash.
- This is a crescendo alarm that will sound for 120 seconds if not deactivated.
- Press any button to stop the alarm for 24 hours.

Specifications

Indoor:

Temperature Range:	32°F to 122°F (0°C to 50°C)
--------------------	-----------------------------

Power:

Digital Clock	1-AA, IEC, LR6 batteries (not included)
---------------	---

Battery Life:

Digital Clock	Up to 24 months
---------------	-----------------

Dimensions:

Digital Clock:	8.62" L x 1.29" W x 6.81" H (218.9 x 32.7 x 172.9 mm)
----------------	--

Care and Maintenance

- Always purchase the correct size and grade of battery most suitable for the intended use.
- Clean the battery contacts and also those of the device prior to battery installation.
- Ensure the battery is installed with regard to polarity (+ and -).
- Remove battery from equipment which is not to be used for an extended period of time.
- Promptly remove expired battery.

Warranty and Support Information

La Crosse Technology, Ltd. provides a 1-year limited time warranty (from date of purchase) on this product relating to manufacturing defects in materials & workmanship.

View full warranty details online at:

www.lacrossetechnology.com/warranty_info.pdf

For warranty work, technical support or other information contact our friendly support staff:

La Crosse Technology, Ltd
2830 26th Street S.
La Crosse, WI 54601

Contact Support: 1-608-782-1610

Product Registration:

www.lacrossetechnology.com/support/register

**Online Product Support:**

www.lacrossetechnology.com/support

FCC Statement

This equipment has been tested and found to comply with the limits for a Class B digital device, pursuant to part 15 of the FCC Rules. These limits are designed to provide reasonable protection against harmful interference in a residential installation. This equipment generates, uses and can radiate radio frequency energy, and if not installed and used in accordance with the instructions, may cause harmful interference to radio communications. However, there is no guarantee that interference will not occur in a particular installation. If this equipment does cause harmful interference to radio or television reception, which can be determined by turning the equipment off and on, the user is encouraged to try to correct the interference by one or more of the following measures:

- Reorient or relocate the receiving antenna.
- Increase the separation between the equipment and receiver.
- Connect the equipment into an outlet on a circuit different from that to which the receiver is connected.
- Consult the dealer or an experienced radio/TV technician for help.

This device must not be co-located or operating in conjunction with any other antenna or transmitter.

Operation is subject to the following two conditions:

- (1) This device may not cause harmful interference, and
- (2) This device must accept any interference received, including interference that may cause undesired operation.

Caution!

The manufacturer is not responsible for any radio or TV interference caused by unauthorized changes or modifications to this equipment. Such changes or modifications could void the user authority to operate the equipment.

All rights reserved. This manual may not be reproduced in any form, even in part, or duplicated or processed using electronic, mechanical or chemical process without the written permission of the publisher.

This booklet may contain errors or misprints. The information it contains is regularly checked and corrections are included in subsequent editions. We disclaim any responsibility for any technical error or printing error, or their consequences. All trademarks and patents are recognized.

Canada Statement

This device complies with CNR Industry Canada license -exempt devices. Operation is subject to the following two conditions:

- (1) This device may not cause interference; and
- (2) This device must accept any interference, including interference that may cause undesired operation of the device.